

# GRAPHTEC

Suitable option for post process  
with print on demand.  
Improves productivity to produce stickers/  
labels and more with sheet media !

## Auto Sheet Feeder Unit **F-Mark** For CE6000



### Features

- Continuous, hands-free sheet media loading and processing
- Dedicated software ensures accurate alignment of contours and printed images
- Camera quickly detects 2-point reference marks for alignment
- Performs half cutting, perforation cutting as die cutting, and dashed line cutting

Maximum media size  
**Super A3** (set in portrait)  
(Max. width: 350 mm, length: 500 mm)

Media stacking up to  
**35mm** (200 sheets)

(It varies by the material, thickness and condition of media.)



\* The cutting plotter is not included in the system.  
The F-MARK is a product of ATS Digital S.r.l.

### Applications

Suitable for small production runs for label of products, heat transfer film for apparel, and more



**Label**



**Custom Apparel**  
(Heat transfer)



**POP**  
as advertisement

[www.graphteccorp.com](http://www.graphteccorp.com)

# Components of the system



## Camera

Quickly detects 2-point reference marks for aligning the contour & printed image.

## Auto Sheet Feeder Unit

An arm with air suction cups lifts the media from the loading tray and places it into the cutter.

## Catch tray

After cutting is completed, sheets are placed in the tray.

\* The capacity of catch tray is not so large. It is required to periodically remove sheets.

## Digital Cutting Software

Dedicated software controls the auto sheet feeding system and transfers contour cutting data to the plotter.



The system includes dedicated application software.

After media is loaded, the attached camera quickly detects 2-point reference marks and corrects alignment before contour cutting data is transferred, giving you the perfect cut every time.

The software configures cutting conditions such as number of copies, cutting force, cutting speed, offset, and number of paths, and it can import Adobe Illustrator or CorelDRAW EPS files as the contour data.

\* Designs created with any version of Illustrator or CorelDRAW need to be saved or exported in the specified format.

\* The cutting plotter is not included in the system.  
The F-MARK is a product of ATS Digital S.r.l.

## Cutter unit

Graphtec CE6000-40 or CE6000-40 PLUS

## Specifications

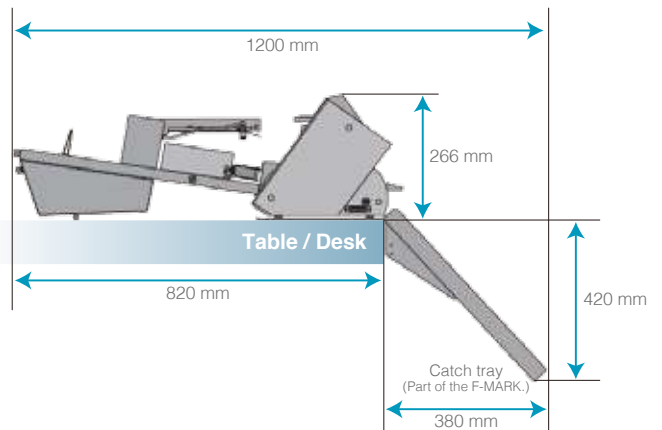
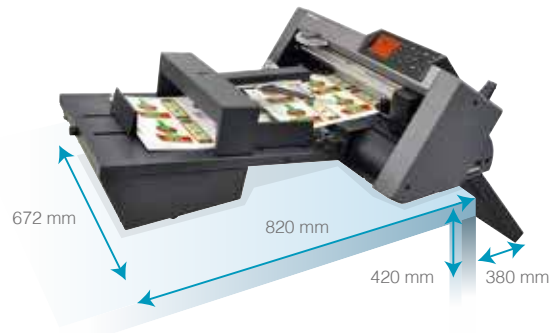
Item	Part No.	
Auto Sheet Feeder Unit	F-MARK	
<b>specifications</b>		
Unit	Item	Description
Whole system (Auto sheet feeder unit with cutter unit)	Supported standard sized media	A4 (297 x 210 mm), SRA4 (320 x 235 mm) (It is loaded with landscape orientation.) A3 (297 x 420 mm), A3+ (typical 329 x 483 mm), SRA3 (320 x 450 mm) (It is loaded with portrait orientation.)
	Interface to PC	Single port of USB (The USB hub to connect the auto feeder unit and cutter unit is included.)
	Power source	100 to 240 V AC (It is required three power outlet.)
	Operating environment	Temperature: 10 to 35 °C, Humidity: 35 to 75 % RH (non-condensing)
	Dimensions	When the entire system is placed on the table - Size of the upper part from the table: Approx. 672 (W) x 820 (D) x 266 (H) mm - Size of the lower part from the table: Approx. 672 (W) x 380 (D) x 420 (H) mm * The CE6000-40/PLUS is placed to edge of table. Refer the illustration of Dimensions.
	Weight	Approx. 25 kg (Cutter unit: 11 kg, Auto feeder unit: 10 kg, Catch tray: 4kg)
Auto sheet feeder unit (F-Mark)	Supported media	Width: 279 to 350 mm, Length: 210 to 500 mm (up to 700 mm when the option bracket is installed.) Up to 350 g/m <sup>2</sup> (It is the grammage of the media that can be handled by the automatic feeder unit.)
	Capacity of supply tray	Up to 200 sheets or up to 35mm height (It varies by the material, thickness and condition of media.)
	Interface	USB2.0
	Power source	AC adapter, 100 to 240 V AC, Approx. 60 VA at output power
Digital Cutting Software	Supported OS	Windows 10, 8.1, 8, 7
	Contour cutting data format	ai (Illustrator version 8) and eps
Cutter unit (CE6000-40/PLUS)	Cutting speed	Max. 600 mm/s all directions
	Acceleration	Max. 21.2 m/s <sup>2</sup> (2.2 G) at 45° direction
	Cutting force	Max. 2.94 N (300 gf) with CE6000-40, Max. 4.41 N (450 gf) with CE6000-40 PLUS
	Interface	USB2.0
	Power source	100 to 240 V AC
	Power consumption	Max. 120 VA
Compatible Standards	UL, cUL, CE mark, RoHS Directive	

## Options

Coming soon

Options	Description	
Item	Description	
Extended bracket of rear media guide	Bracket to support long media up to 700 mm	
Media catch tray partition bracket	Bracket to set area on media catch tray for using small media	

## Dimensions



• Brand names and product names listed in this brochure are the trademarks or registered trademarks of their respective owners.  
• Items mentioned are subject to change without notice. For more information about product, please check the web site or contact your local representative.

**⚠ For using equipment in correctly and safely**

- Before using it, please read the user manual and then please use it properly in accordance with the description.
- To avoid an occurrence of malfunction or an electric shock by leakage, please ensure ground connection and use it in specified power source.

# GRAPHTEC

Graphtec Corporation

503-10 Shinano-cho, Totsuka-ku, Yokohama 244-8503, Japan  
Tel : +81-45-825-6250 Fax : +81-45-825-6396  
Email : webinfo@graphtec.co.jp

Website <http://www.graphteccorp.com>



F-MARK\_JE10310\_1P